

# SP-EVCP-R

## Single Phase Voltage Monitoring and Protection Unit

### Are you installing electric vehicle charge points onto Single Phase PME infrastructures?

The **SP-EVCP-R** from matt:e is a simple single connection unit, which allows for the connection of 1 x 32amp single phase charge point to the existing PME earthing facility.

The unit incorporates our own unique monitoring device which disconnects all poles including CPC in the event of a fault and built in double pole Type A RCBO.

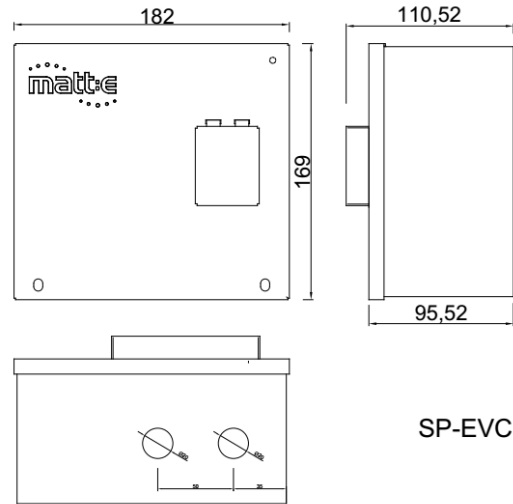
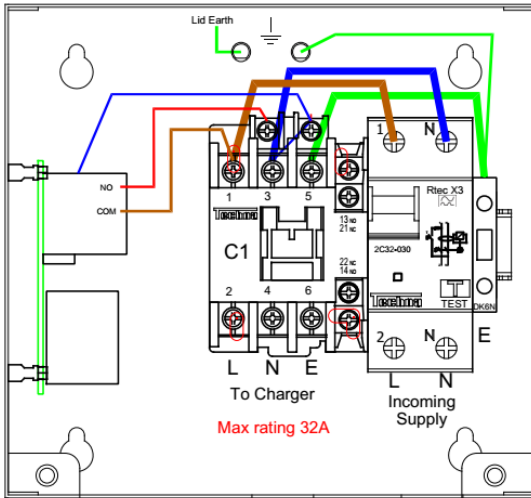
The matt:e **SP-EVCP-R** technology does not require earth rods or measuring electrodes to function correctly.



#### Product Features

- Built in matt:e technology
- NO EARTH ELECTRODES REQUIRED
- BS:7671 18th Edition compliant
- Suitable for 1 x 32amp load
- Built in Type A RCBO
- Standard 2 Year parts warranty
- Simple wire in wire out connection
- Standard mild steel IP4X enclosure
- Designed and Built in the UK

...Simplifying EV connection



SP-EVCP-R

Description	Single Phase Voltage Monitoring and Protection Unit
Input Volts	Nominal input voltage Single Phase 230V 50Hz
Max Load	32 amps
Cable Entry Facility	Bottom, 2 x 20mm
Terminal Capacity	10.0mm <sup>2</sup>
Dimensions ( H x W x D )	169mm x 182mm x 111mm
Weight	Approximately 3kg
Enclosure	Mild Steel Powder Coated
Ingress Protection	IP4X
Warranty	The matt:e <i>SP-EVCP-R</i> is guaranteed for a period of 2 years from the date of purchase. This warranty is limited to the replacement of faulty components only.

...Simplifying EV connection